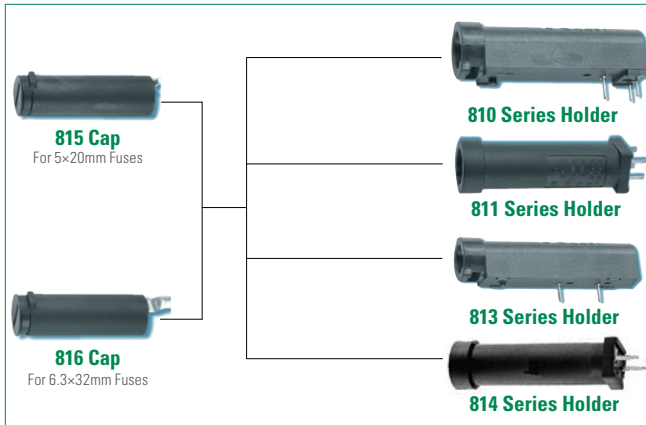
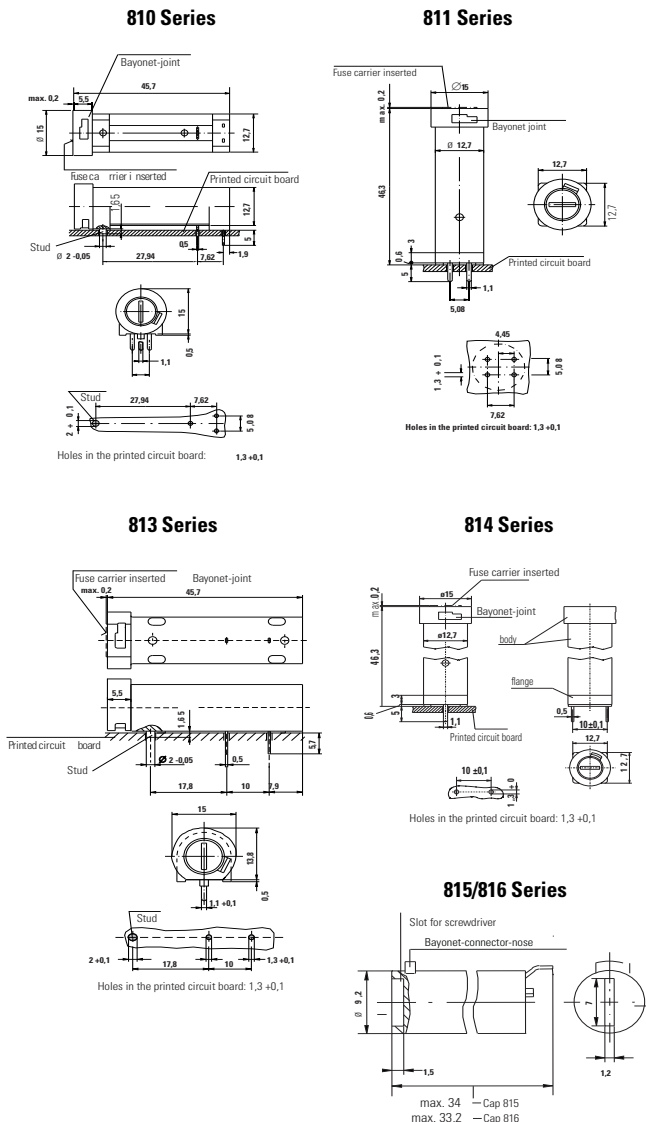


810/811/813/814 Series Circuit Board Mount Enclosed Fuse Holders



**Dimensions**



| Product Characteristics                |   |                            |   |  |
|--|---|----------------------------|---|--|
|  | 810 Series  | 811 Series                 | 813 Series  | 814 Series   |
| <b>Compatible Fuse Types</b>           | 5x20mm<br>6.3x32mm  | 5x20mm<br>6.3x32mm         | 5x20mm<br>6.3x32mm  | 5x20mm<br>6.3x32mm   |
| <b>Materials</b>                       | <b>Holder/Cap:</b> Black Thermoplastic, UL94 V-0<br><b>Metal Parts:</b> Copper alloy, corrosion protected<br><b>Terminals:</b> Solderable, tinned |                            |   |  |
| <b>Electrical Data (23°C)</b>          | <b>Rated Voltage:</b> 250V  |                            |   |  |
|  | <b>Rated Current:</b> 6.3A (VDE) 16A (UL/CSA)   |                            |   |  |
| <b>Rated Power:</b>                    | <b>Rated Power:</b> 2.5W (VDE)  |                            | <b>Rated Power:</b> 1.6W (813+815-VDE)<br>2.5W (813+816-VDE)  | <b>Rated Power:</b> 1.6W (814+815-VDE)<br>2.5W (814+816-VDE) |
|  | <b>Mounting</b>   |                            | (3) Solder pins 0.5mm × 1.1mm and plastic stud. The pins spaced at 5.08mm form a common connection. | (2) Solder pins 0.5mm × 1.1mm and plastic stud               |
| <b>Protection Class &amp; Category</b> | IP 40 (IEC 60529)<br>PC2 (IEC 60127-6)  |                            |   |  |
| <b>Operating Temperature</b>           | -25 °C to 70 °C   |                            |   |  |
| <b>Climatic Test</b>                   | -25°C/+70°C/21 days (IEC 60068-2-1...3)   |                            |   |  |
| <b>Stock Conditions</b>                | +10°C to +60°C relative humidity ≤ 75% yearly average, without dew, maximum value for 30 days - 95%   |                            |   |  |
| <b>Vibration Resistance</b>            | 24 cycles at 15 min. each (IEC 60068-2-6) 10 - 60Hz at 0.75mm amplitude 60 - 2000Hz at 10g acceleration   |                            |   |  |
| <b>Contact Resistance</b>              | ≤ 5mΩ   |                            |   |  |
| <b>Dielectric Strength</b>             | > 1.5 kV  |                            |   |  |
| <b>Impulse Voltage</b>                 | 4 kV, 50 Hz, 1 min., dry  |                            |   |  |
| <b>Insulation Resistance</b>           | > 10 <sup>9</sup> MΩ (500 VDC, 1 min.)  |                            |   |  |
| <b>Solderability</b>                   | 235°C, 3 sec. (Wave) 350°C, 1 sec. (Soldering Iron)   |                            |   |  |
| <b>Soldering Heat Resistance</b>       | 260°C, 5 sec. (IEC 60068-2-20)  |                            |   |  |
| <b>Min Cross Section</b>               | Conducting path - 0.2mm <sup>2</sup>  |                            |   |  |
| <b>Marking</b>                         | 810, 250V, Approvals  | 811, 250V, Approvals       | 813, 250V, Approvals  | 814, 250V, Approvals   |
| <b>Unit Weight</b>                     | 5.4g (Holder) / 2.5g (Cap)  | 5.2g (Holder) / 2.5g (Cap) | 5.8g (Holder) / 2.5g (Cap)  | 4.6g (Holder) / 25g (Cap)                                    |

Note: Refer to Fuseology for information on proper fuseholder re-rating

| Dimensions         |             |        |        |        |
|--------------------|-------------|--------|--------|--------|
| Agency             | Part Number |        |        |        |
|                    | 810         | 811    | 813    | 814    |
| Agency File Number |             |        |        |        |
|                    | 118611      | 120642 | 118349 | 118347 |
|                    | E70164      |        |        |        |
|                    | 47574       |        |        |        |

### Ordering Information

| Description       | Ordering Number | Packaging |
|-------------------|-----------------|-----------|
| Cap, 5x20 mm      | 81500000005     | Bulk 100  |
| Cap, 6.3x32 mm    | 81600000005     | Bulk 100  |
| 810 Series Holder | 81000000005     | Bulk 100  |
| 811 Series Holder | 81100000005     | Bulk 100  |
| 813 Series Holder | 81300000005     | Bulk 100  |
| 814 Series Holder | 81400000005     | Bulk 100  |

### Additional Information



**Datasheet  
810 Series**



**Datasheet  
811 Series**



**Datasheet  
813 Series**



**Datasheet  
814 Series**



**Resources  
810 Series**



**Resources  
811 Series**



**Resources  
813 Series**



**Resources  
814 Series**



**Samples  
810 Series**



**Samples  
811 Series**



**Samples  
813 Series**



**Samples  
814 Series**