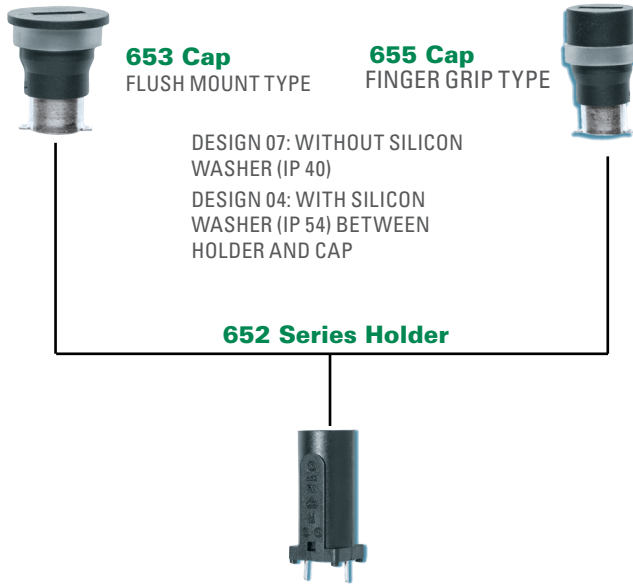
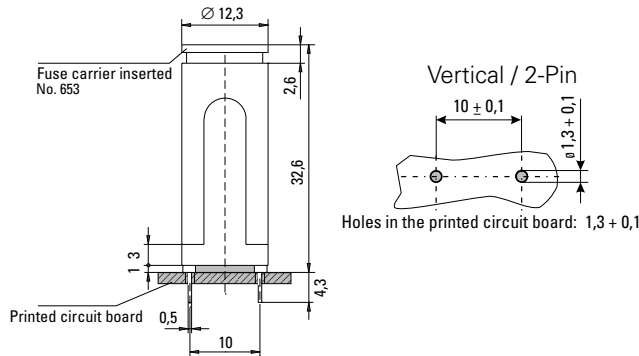


652 Series Circuit Board Mount Enclosed Fuse Holders for 5x20mm Fuses      

Not for new designs - refer to No. 852 and 853



Dimensions



Additional Information



Datasheet



Resources







Samples

Product Characteristics

| Compatible Fuse Types | 5x20mm |
|--|---|
| Materials | Holder/Cap: Black Thermoplastic Polyamide PA 6.6, UL94 V-0 |
| | Sealing Washer: Thermoplastic (Cap 653 04 & 655 04) |
| | Metal Parts: Copper alloy, corrosion protected |
| Electrical Data (23°C) | Rated Voltage: 250V |
| | Max. Current/Power: 6.3A (VDE/SEMKO) 16A (UL/CSA) |
| | Rated Power: 2.5W (VDE/SEMKO) |
| Mounting | (2) Solder pins 0.5mmx1.1mm |
| Protection Class & Category | IP 40 (with Cap 653 07 & 655 07 acc. to IEC 60529) IP 54 (with Cap 653 04 & 655 04 acc. to IEC 60529) PC2 (IEC 60127-6) |
| Operating Temperature | -25°C to +70°C (consider de-rating) |
| Climatic Test | -25°C/+70°C/21 days (IEC 60068-2-1...3) |
| Stock Conditions | +10°C to +60°C relative humidity ≤ 75% yearly average, without dew, maximum value for 30 days - 95% |
| Vibration Resistance | 24 cycles at 15 min. each (IEC 60068-2-6) 10 - 60Hz at 0.75mm amplitude 60 - 2000Hz at 10g acceleration |
| Contact Resistance | ≤ 5mΩ |
| Dielectric Strength | > 1.5 kV |
| Impulse Voltage | 4 kV, 50 Hz, 1 min., dry |
| Insulation Resistance | > 10 ³ MΩ (500 VDC, 1 min.) |
| Solderability | 235°C, 3 sec. (Wave) 350°C, 1 sec. (Soldering Iron) |
| Soldering Heat Resistance | 260°C, 5 sec. (IEC 60068-2-20) |
| Minimum Cross Section | Conducting path - 0.2mm ² |
| Marking | 652, 250V, Approvals |
| Unit Weight | 3.8g (Holder) / 2.0g (653) / 2.4g (655) |

Agency Approval

| Agency | Agency File Number |
|---|--------------------|
|  | 92599 |
|  | 608495 |
|  | E 70164 |
|  | 47574 |

Ordering Information

| Description | Ordering Number | Packaging |
|---------------------------|-----------------|-----------|
| Cap, 5x20 mm, Flush Mount | 653 0000 000 | Bulk 100 |
| Cap, 2x25 mm, Finger Grip | 655 0000 000 | Bulk 100 |
| 652 Series Holder | 652 0000 000 | Bulk 100 |