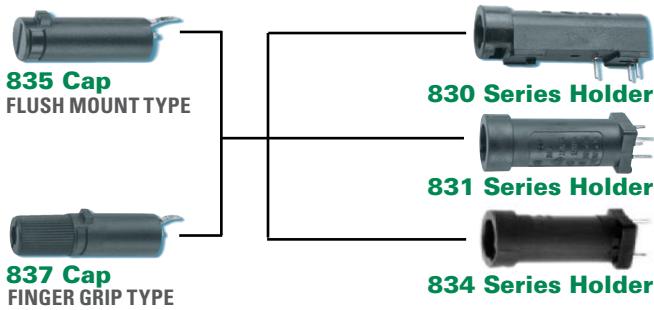
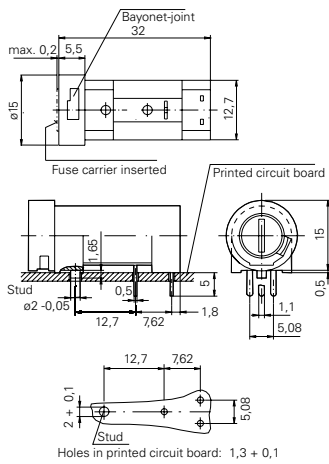


**830/831/834 Series Circuit Board Mount Enclosed Fuse Holders**

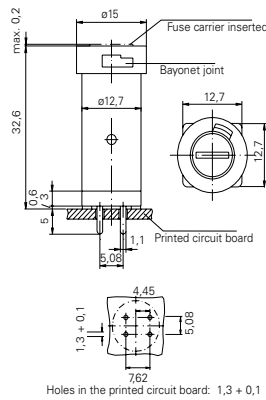


**Product Dimensions**

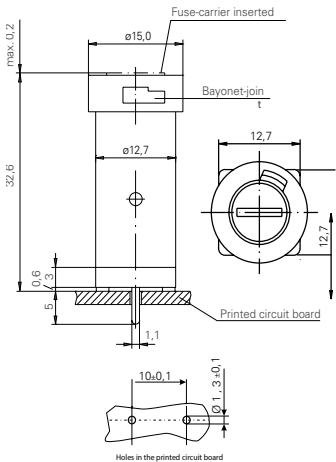
**830 Series**



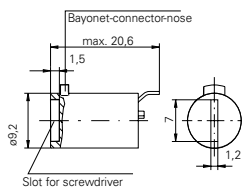
**831 Series**



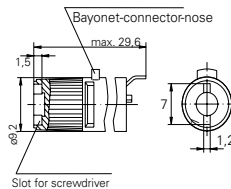
**834 Series**



**835 Cap**



**837 Cap**






**Product Characteristics**

	830 Series	831 Series	834 Series
<b>Compatible Fuse Types</b>	5x20mm	5x20mm	5x20mm
<b>Materials</b>	<b>Holder/Cap:</b> Black Thermoplastic, UL94 V-0 <b>Metal Parts:</b> Copper alloy, corrosion protected <b>Terminals:</b> Solderable, tinned		
<b>Electrical Data (23°C)</b>	<b>Rated Voltage:</b> 250V <b>Rated Current:</b> 6.3A (VDE) 16A (UL/CSA)		
	<b>Rated Power:</b> 1.6W (VDE)	<b>Rated Power:</b> 2.5W (VDE)	<b>Rated Power:</b> 2.5W (VDE with 835 cap)
<b>Mounting</b>	(3) Solder pins 0.5mmx1.1mm and plastic stud. The pins spaced at 5.08mm	(4) Solder pins 0.5mmx1.1mm The pins spaced at 5.08mm form a common connection.	(2) Solder pins 0.5mmx1.1mm
<b>Protection Class &amp; Category</b>	IP 40 (IEC 60529) PC2 (IEC 60127-6)		
<b>Operating Temperature*</b>	-25 °C to 70 °C		
<b>Climatic Test</b>	-25°C/+70°C/21 days (IEC 60068-2-1...3)		
<b>Stock Conditions</b>	+10°C to +60°C relative humidity ≤ 75% yearly average, without dew, maximum value for 30 days - 95%		
<b>Vibration Resistance</b>	24 cycles at 15 min. each (IEC 60068-2-6) 10 - 60Hz at 0.75mm amplitude 60 - 2000Hz at 10g acceleration		
<b>Contact Resistance</b>	≤ 5mΩ		
<b>Dielectric Strength</b>	> 1.5 kV		
<b>Impulse Voltage</b>	4 kV, 50 Hz, 1 min., dry		4 kV with 1,2µs/50µs
<b>Insulation Resistance</b>	> 10 <sup>3</sup> MΩ (500 VDC, 1 min.)		
<b>Solderability</b>	235°C, 3 sec. (Wave) 350°C, 1 sec. (Soldering Iron)		235°C, 2 sec. (Soldering bath) (IEC 60068-2-20) 350°C, 3 sec. (Soldering Iron) (IEC 60068-2-20)
<b>Soldering Heat Resistance</b>	260°C, 5 sec. (IEC 60068-2-20)		260°C, 5 sec. (Soldering bath) (IEC 60068-2-20)
<b>Minimum Cross Section</b>	Conducting path - 0.2mm <sup>2</sup>		
<b>Marking</b>	830, 250V, Approvals	831, 250V, Approvals	834, 250V, Approvals
<b>Unit Weight</b>	4.4g (Holder) / 1.6g (835) / 2.2g (837)	4.1g (Holder) / 1.6g (835) / 2.2g (837)	3.5g (834) / 1.6g (835) / 2.2g (837)

\* Refer to Fuseology for information on proper fuseholder re-rating.

## Agency Approval

Agency	Agency File Number		
	830 Series	831 Series	834 Series
	120623	123441	6913
	E70164		
	47574		

## Ordering Information

Ordering PN	Description	Packaging
Fuseholder		
83000000005	ACS 5x20mm Fuseholder 830 Series for 250V	Bulk/100pcs
83100000005	ACS 5x20mm Fuseholder 831 Series for 250V	Bulk/100pcs
83400000005	ACS 5x20mm Fuseholder 834 Series for 250V	Bulk/100pcs
Fuseholder Cap		
83500000005	ACS 5x20mm Fuseholder CAP 835 Series	Bulk/100pcs
83700000005	ACS 5x20mm Fuseholder CAP 837 Series	Bulk/100pcs

## Additional Information



Datasheet  
830 Series



Resources  
830 Series



Samples  
830 Series



Datasheet  
831 Series



Resources  
831 Series



Samples  
831 Series



Datasheet  
834 Series



Resources  
834 Series



Samples  
834 Series

**Disclaimer Notice** - Information furnished is believed to be accurate and reliable. However, users should independently evaluate the suitability of and test each product selected for their own applications. Littelfuse products are not designed for, and may not be used in, all applications. Read complete Disclaimer Notice at: [www.littelfuse.com/disclaimer-electronics](http://www.littelfuse.com/disclaimer-electronics).